

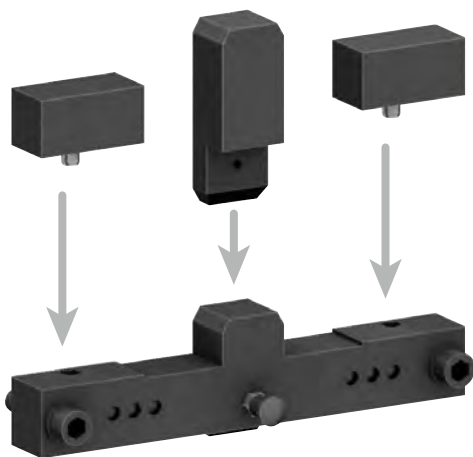
New

Mold Locator

Locates Molds with Non-Standardized Heights

Stationary Platen Side

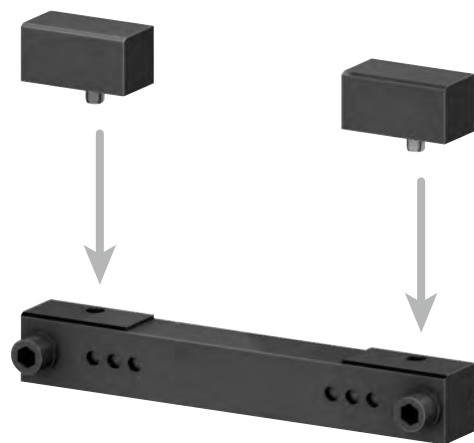
Model MHB0□P0-S



X/Y-Axis Simultaneous Locating

Movable Platen Side

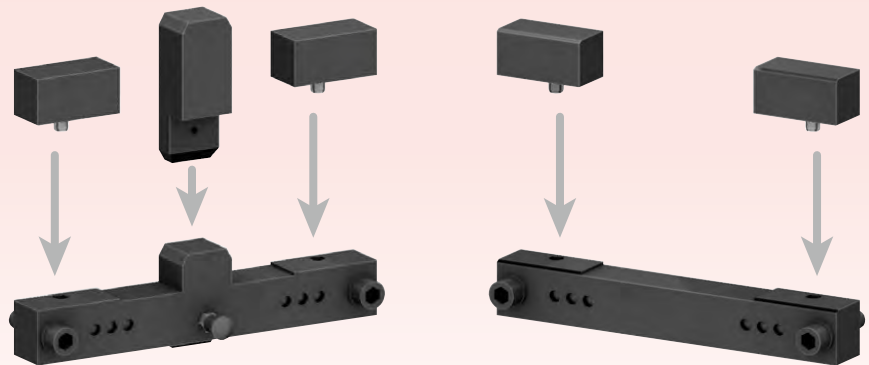
Model MHB0□P0-M



Y-Axis Locating

Mold Locator

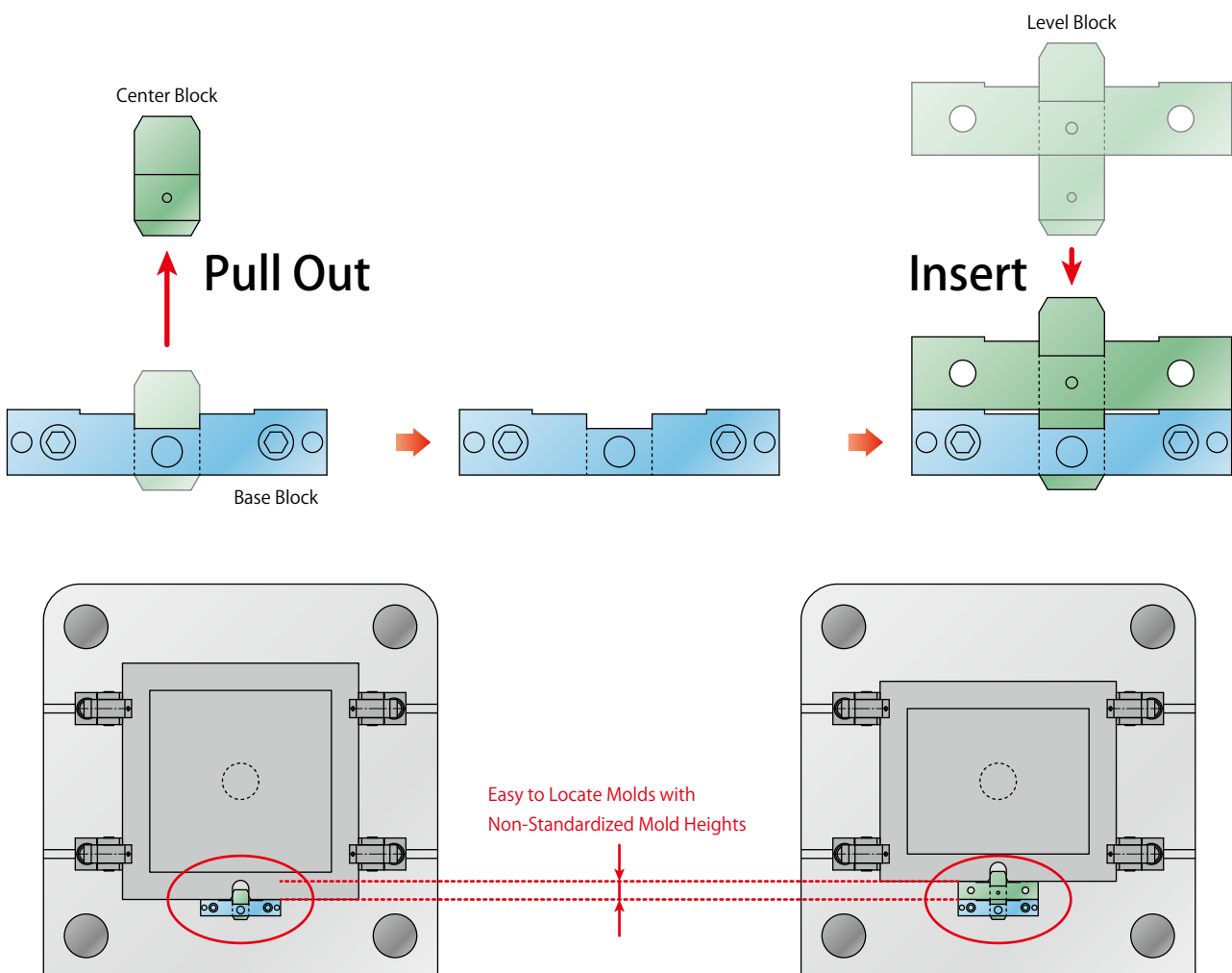
Model MHB



Just "Pull-Out" and "Insert" to Locate Molds with Non-Standardized Heights

No Locating Ring Required. Quick and Simple Mold Locating.

Features

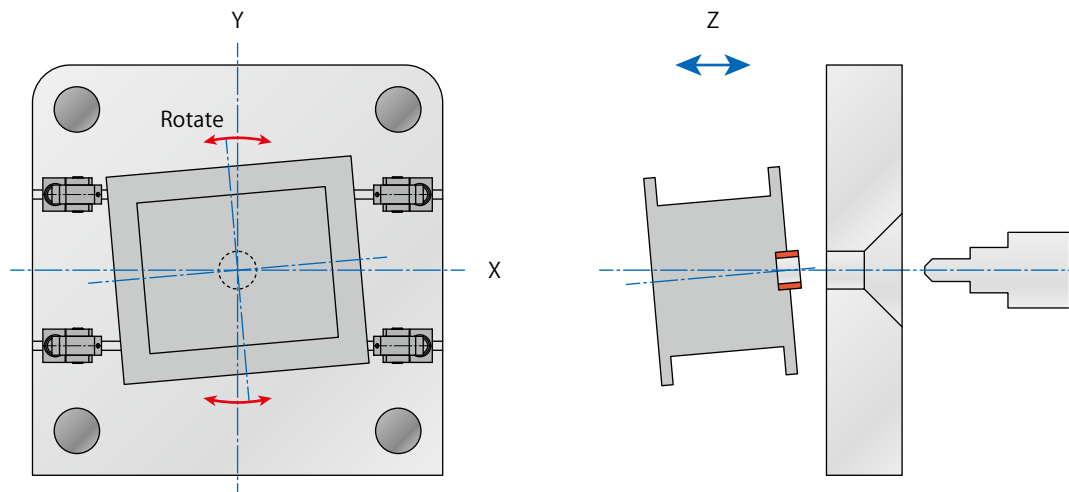


Locating with the Locating Ring

Mold Locator

MHB

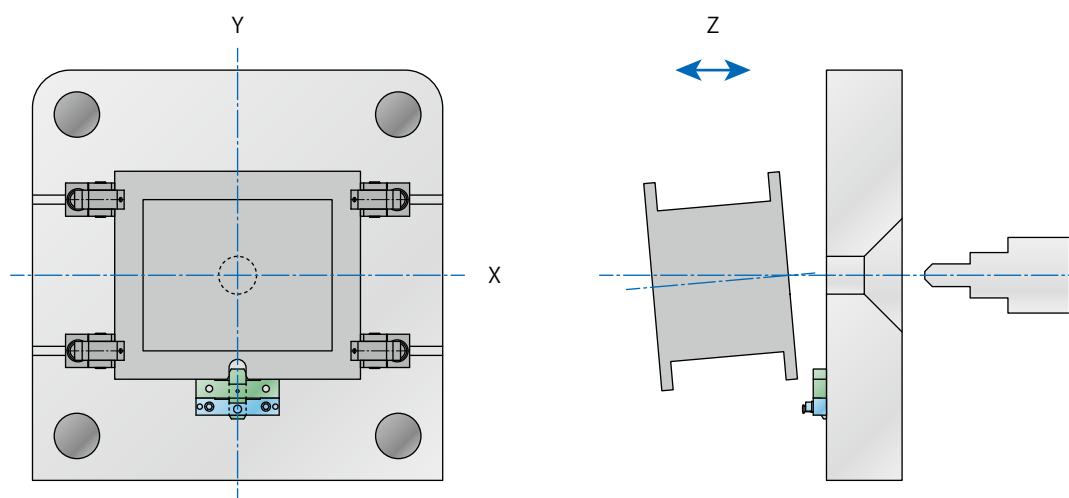
- Locating ring adjustment is difficult and takes time.
- Locating of mold rotation direction (X/Y-Axis) is difficult.



Difficult, and Requires Time to Locate

Locating with the Mold Locator

- Just set the mold onto the mold locator and the mold is positioned correctly.
- Simultaneously locate the X-Axis and Y-Axis direction of the mold.



Easy to Locate, and Reduces the Mold Change Time

Model No. Indication

MHB 04 P 0 - S - A 050

1 2 3 4 5 6

1 Injection Molding Machine Capacity

03 : IMM Capacity ~ 750kN

04 : IMM Capacity ~ 3500kN

06 : IMM Capacity ~ 8500kN

※ Please contact us for information about IMM with higher capacities.

2 Locating Method

P : Parallel Pin

※ Please contact us for information about using parallel keys instead.

3 Design No.

0 : Revision Number

4 Platen

S : Stationary Platen Side

M : Movable Platen Side

5 Block Type

B : Base Block

C : Center Block

A : Level Block (Center + Spacer)

S : Side Block

6 Level Height ※ Indicate only when selecting Block Type A:Level Block, C:Center Block, and/or S:Side Block.

030 : 30mm

※ Please indicate the level height in 1mm increments.

050 : 50mm

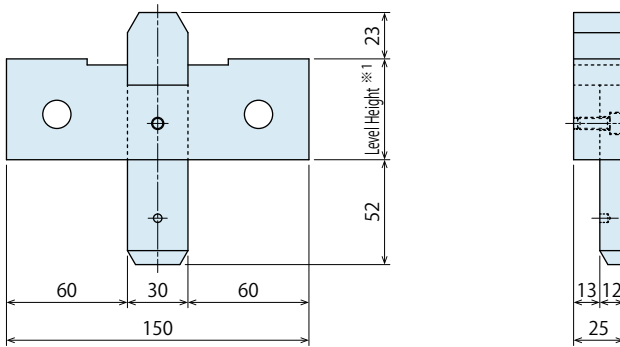
100 : 100mm

Specifications

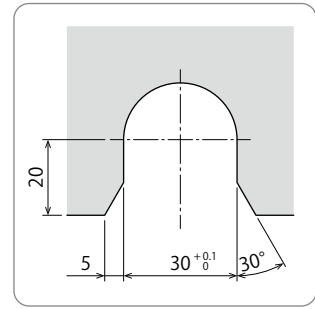
Model No.	MHB03P0	MHB04P0	MHB06P0
IMM Capacity kN	~ 750	~ 3500	~ 8500
Capacity (Allowable Mold Weight) kg	600	3000	8000
Weight kg	-S-B	1.2	9.0
	-S-C0	0.3	1.8
	-S-C50	-	3.0
	-S-A50	1.7	-
	-S-S50	-	2.0 (2 pieces)
	-M-B	1.2	9.0
	-M-A50	1.5	-
	-M-S50	-	2.0 (2 pieces)

External Dimensions : MHB03P0-S (Stationary Platen Side)

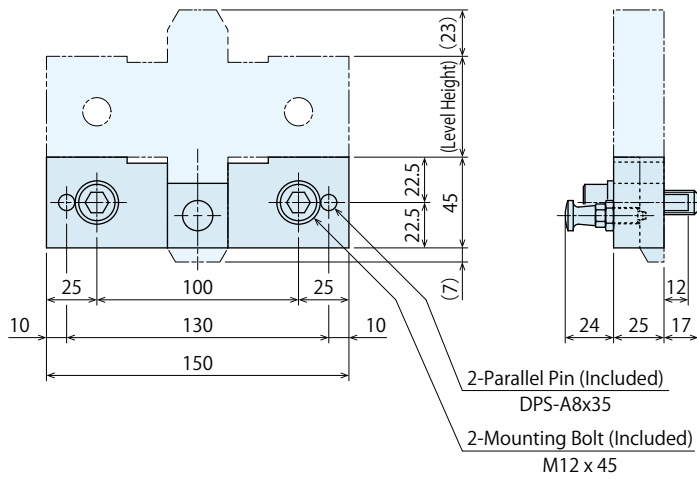
MHB03P0-S-A□□□



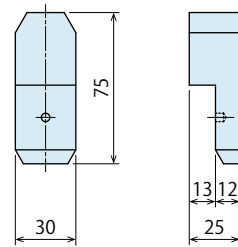
Mold Notch Dimensions



MHB03P0-S-B



MHB03P0-S-C0

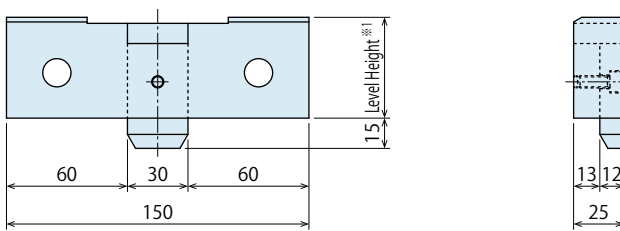


Note:

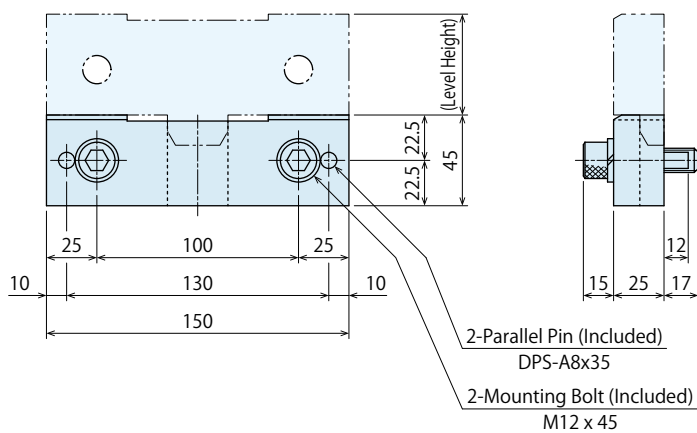
※1. Please indicate the level height in 1mm increments.

External Dimensions : MHB03P0-M (Movable Platen Side)

MHB03P0-M-A□□□



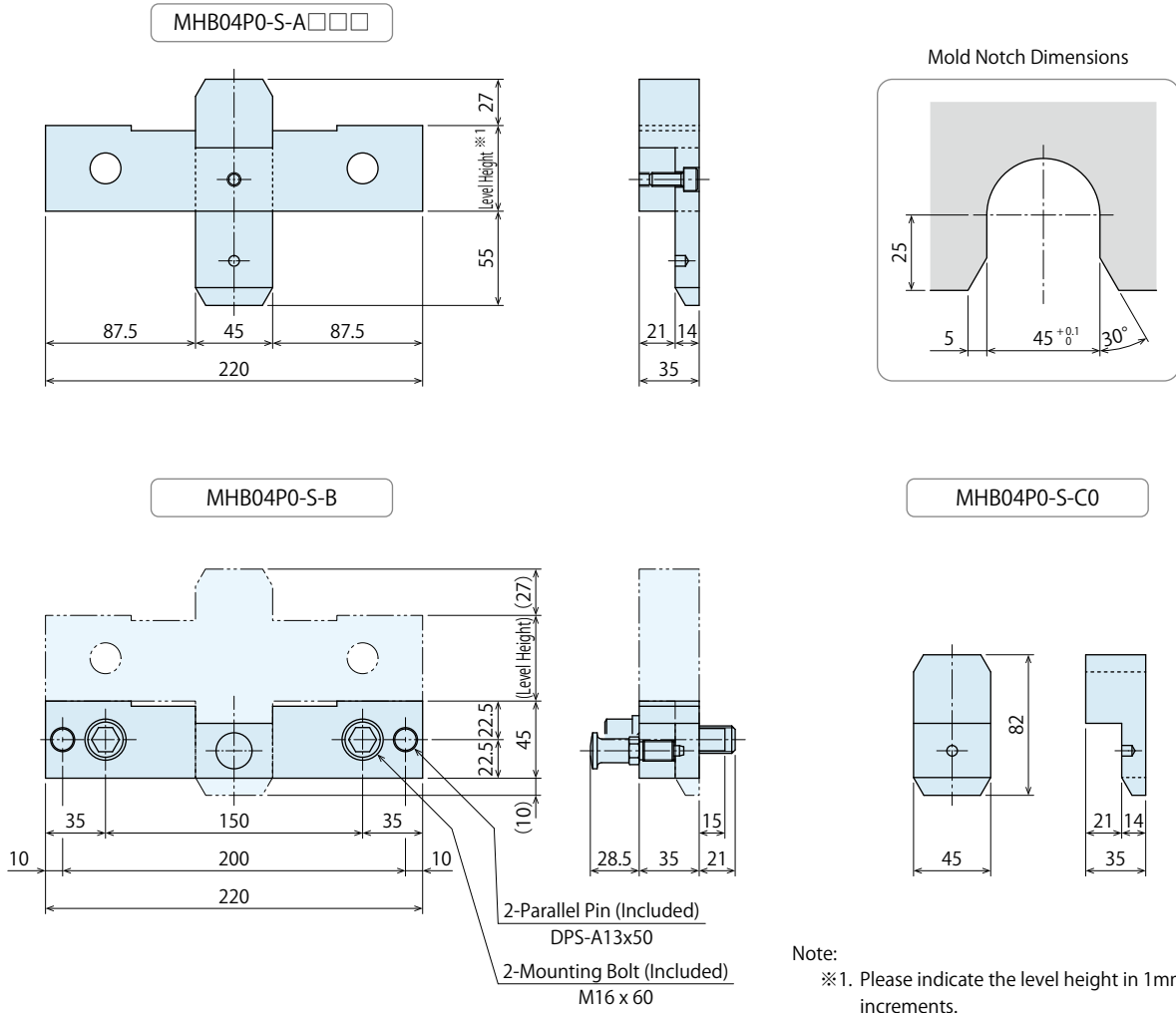
MHB03P0-M-B



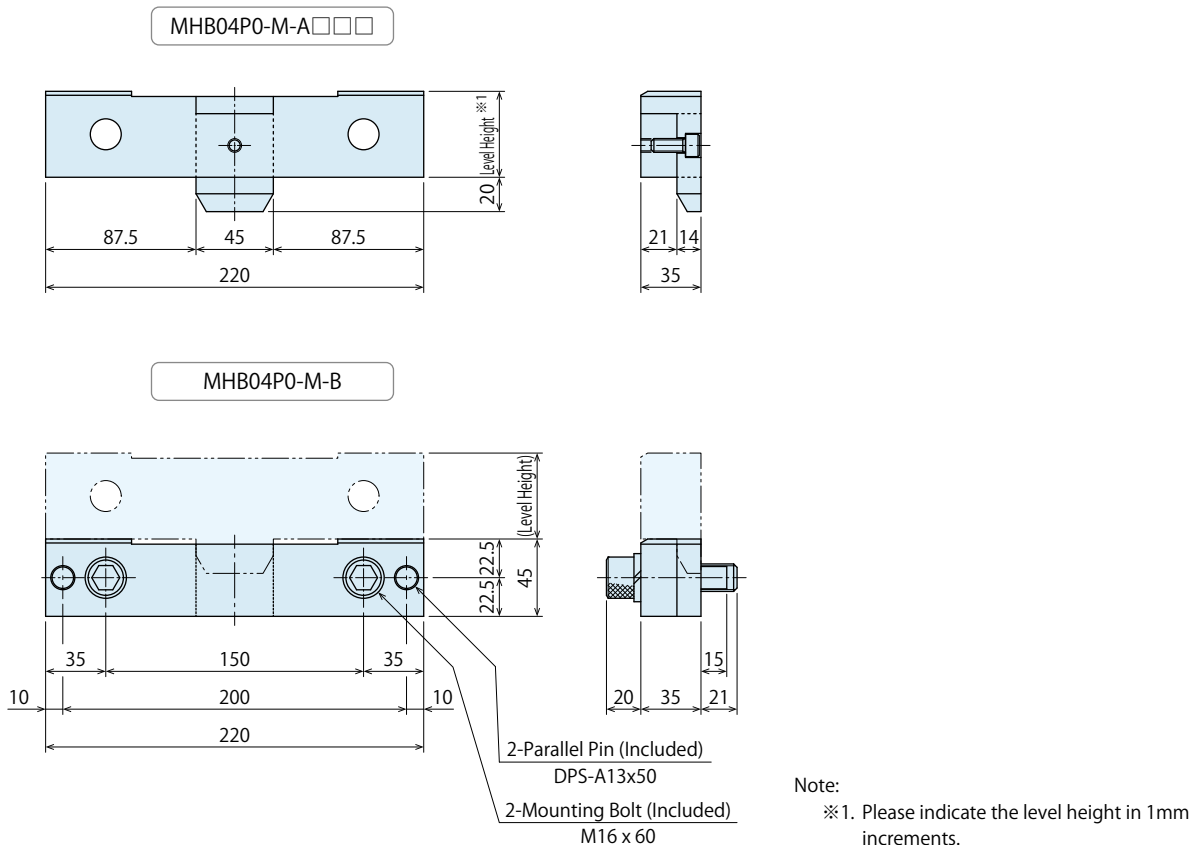
Note:

※1. Please indicate the level height in 1mm increments.

External Dimensions : MHB04P0-S (Stationary Platen Side)

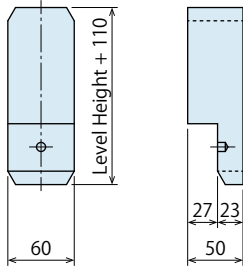


External Dimensions : MHB04P0-M (Movable Platen Side)

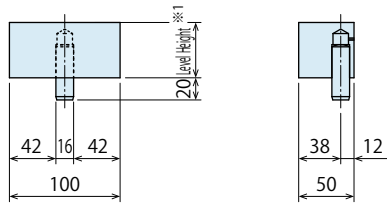


External Dimensions : MHB06P0-S (Stationary Platen Side)

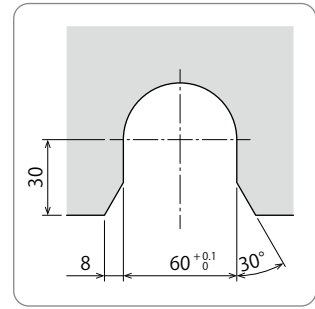
MHB06P0-S-C□□□



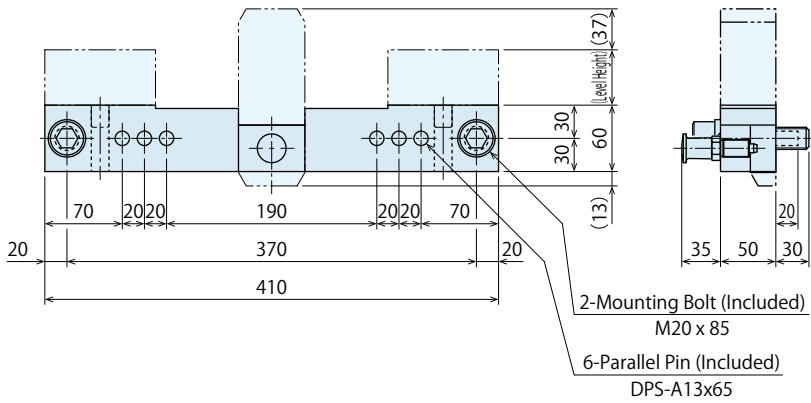
MHB06P0-S-S□□□



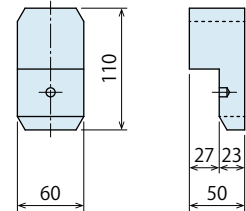
Mold Notch Dimensions



MHB06P0-S-B



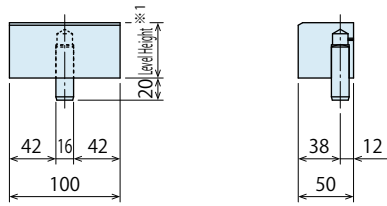
MHB06P0-S-C0



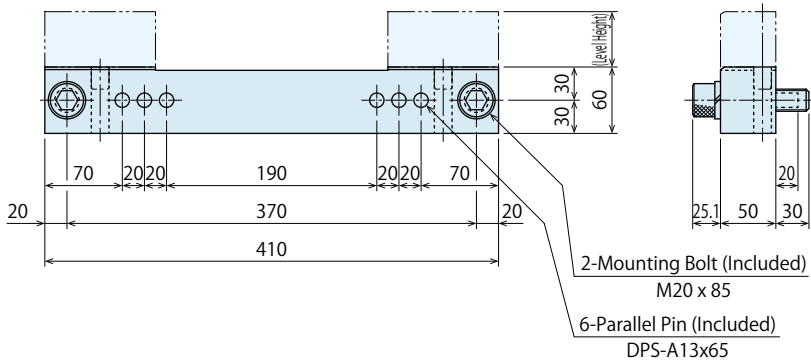
Note:
※1. Please indicate the level height in 1mm increments.

External Dimensions : MHB06P0-M (Movable Platen Side)

MHB06P0-M-S□□□



MHB06P0-M-B



Note:
※1. Please indicate the level height in 1mm increments.

KOSMEK

Harmony in Innovation

HEAD OFFICE 1-5, 2-Chome, Murotani, Nishi-ku, Kobe 651-2241
TEL.+81-78-991-5162 FAX.+81-78-991-8787

BRANCH OFFICE (U.S.A.) KOSMEK (U.S.A.) LTD.
1441 Branding Avenue, Suite 110, Downers Grove, IL 60515 USA
TEL.+1-630-241-3465 FAX.+1-630-241-3834

BRANCH OFFICE (INDIA) KOSMEK LTD - INDIA
F 203, Level-2, First Floor, Prestige Center Point,
Cunningham Road, Bangalore -560052 India
TEL.+91-9880561695

THAILAND REPRESENTATIVE OFFICE 67 Soi 58, RAMA 9 Rd., Suanluang, Suanluang, Bangkok 10250
TEL. +66-2-715-3450 FAX. +66-2-715-3453

- FOR FURTHER INFORMATION ON UNLISTED SPECIFICATIONS AND SIZES, PLEASE CALL US.
- SPECIFICATIONS IN THIS LEAFLET ARE SUBJECT TO CHANGE WITHOUT NOTICE.



JQA-QMA10823
KOSMEK HEAD OFFICE



MS
JAB
CM009

<http://www.kosmek.co.jp>

