

New

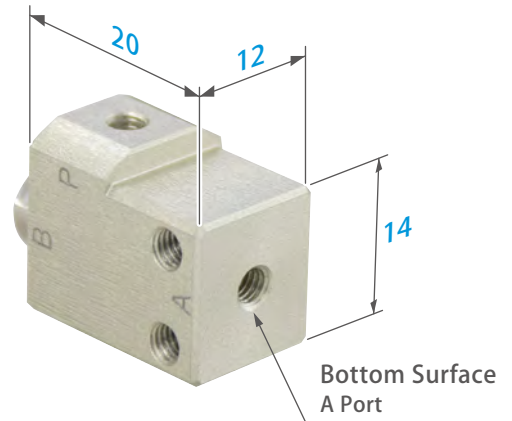
Air Safety Valve



Weight

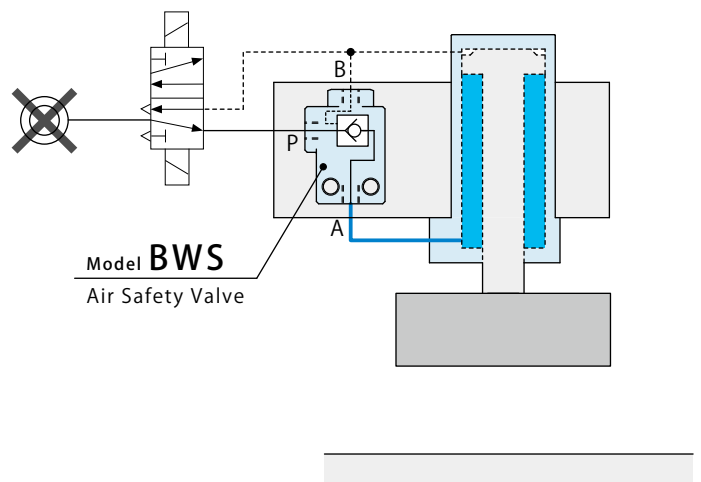
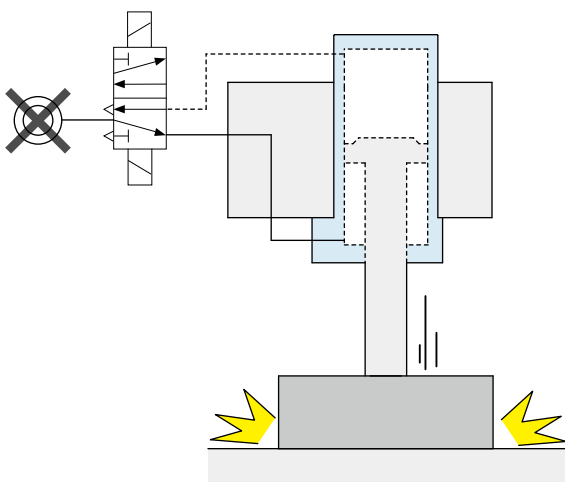
9 gram

Model BWS



Ultra-Compact and Light Air Pilot Check Valve Prevents Falling during Robot Transfer

Even when air is stopped due to blackout, the Air Safety Valve maintains air pressure for long hours in a circuit. It is able to keep cylinder position and prevent workpiece fall. It is also highly reliable with built-in Soft Seal.



✗ The piston descends (falls) due to air source shut-off.

○ Keeps the posture and prevents falling by maintaining pressure.

Model No. Indication

BWS003 0

Design No.
(Revision Number)

Specifications

| | | |
|---------------------------------|-----------------|--------------------------------------|
| Model No. | BWS0030 | |
| Operating Pressure | MPa | 0.2 ~ 0.7 |
| Withstanding Pressure | MPa | 1.5 |
| Min. Passage Area ^{※1} | mm ² | 2.2 |
| Cracking Pressure | MPa | 0.03 |
| Pilot Pressure | MPa | A : Maintaining Pressure×0.5 or more |
| Operating Temperature | °C | 0 ~ 70 |
| Usable Fluid | | Dry Air |
| Weight | g | 9 |

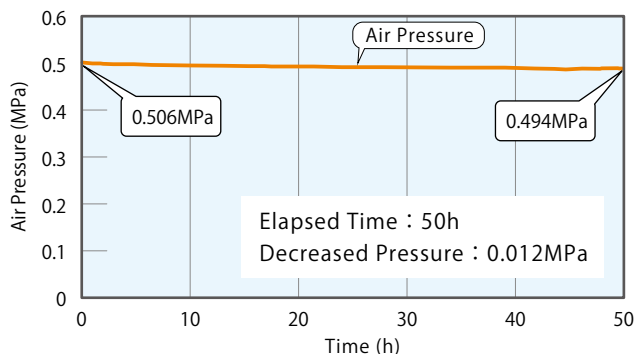
Note:

※1. Minimum passage area in the product.

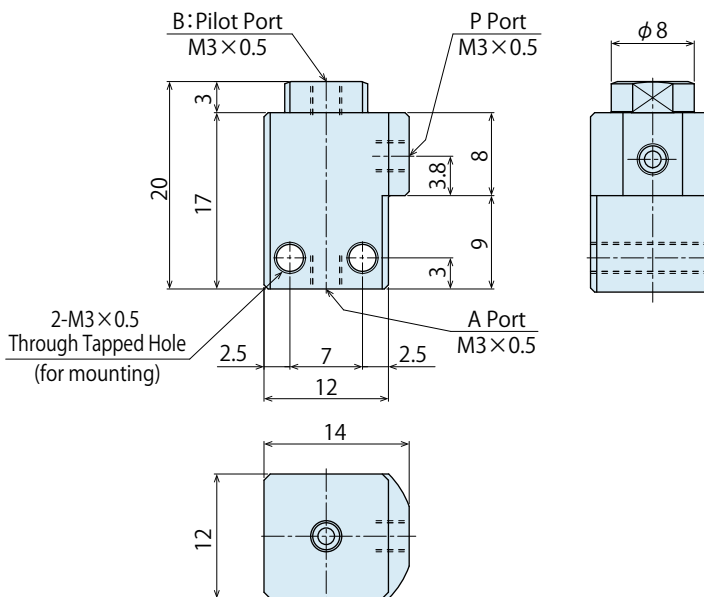
High Reliability with Soft Seal

Testing data of measuring elapsed time and pressure change when maintaining air pressure in A port. Sealing part is equipped with Soft Seal. It enables great pressure maintaining ability.

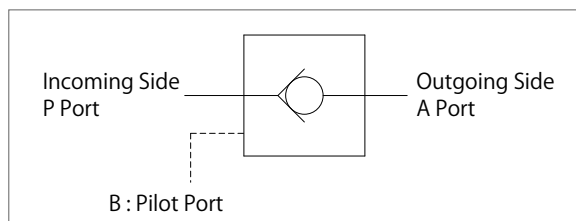
※ Testing data of single product with stable surrounding temperature.



External Dimensions



Circuit Symbol



Notes for Usage

- When using with a speed controller, set it between BWS and an actuator.
- Please supply filtered clean dry air. Also, make sure no contaminants such as tips of sealing tape enter into the product as it affects sealing ability. Pressure cannot be maintained with contaminants sticking to a check valve.

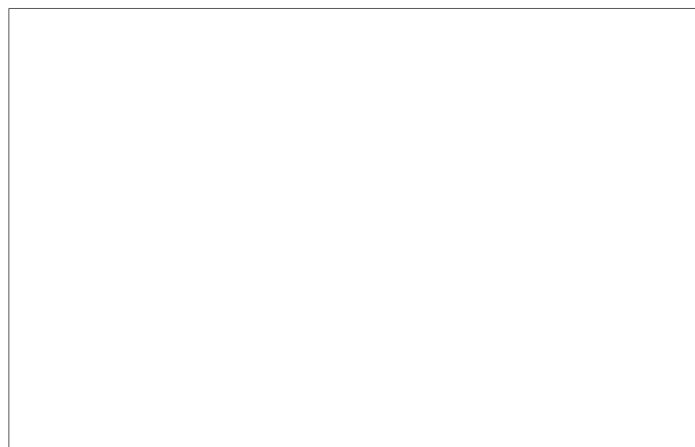


KOSMEK LTD.

<http://www.kosmek.com/>

HEAD OFFICE 1-5, 2-chome, Murotani, Nishi-ku, Kobe-city, Hyogo, Japan 651-2241
TEL.+81-78-991-5162 FAX.+81-78-991-8787

| | |
|--|--|
| United States of America SUBSIDIARY | KOSMEK (USA) LTD. 650 Springer Drive, Lombard, IL 60148 USA TEL. +1-630-620-7650 FAX. +1-630-620-9015 |
| MEXICO REPRESENTATIVE OFFICE | KOSMEK USA Mexico Office Blvd Jurica la Campana 1040, B Colonia Punta Juriquilla Queretaro, QRO 76230 Mexico TEL. +52-442-161-2347 |
| EUROPE SUBSIDIARY | KOSMEK EUROPE GmbH Schleppplatz 2 9020 Klagenfurt am Wörthersee Austria TEL. +43-463-287587 FAX. +43-463-287587-20 |
| INDIA BRANCH OFFICE | KOSMEK LTD. - INDIA F 203, Level-2, First Floor, Prestige Center Point, Cunningham Road, Bangalore -560052 India TEL.+91-9880561695 |
| THAILAND REPRESENTATIVE OFFICE | KOSMEK Thailand Representation Office 67 Soi 58, RAMA 9 Rd., Suanluang, Suanluang, Bangkok 10250, Thailand TEL. +66-2-300-5132 FAX. +66-2-300-5133 |



- For Further Information on Unlisted Specifications and Sizes, Please call us.
- Specifications in this Leaflet are Subject to Change without Notice.

